

## HIGH PRESSURE PUMP UNTIL 2 BARS SINGLE OR THREE PHASE VERSION

### TECHNICAL FEATURES :

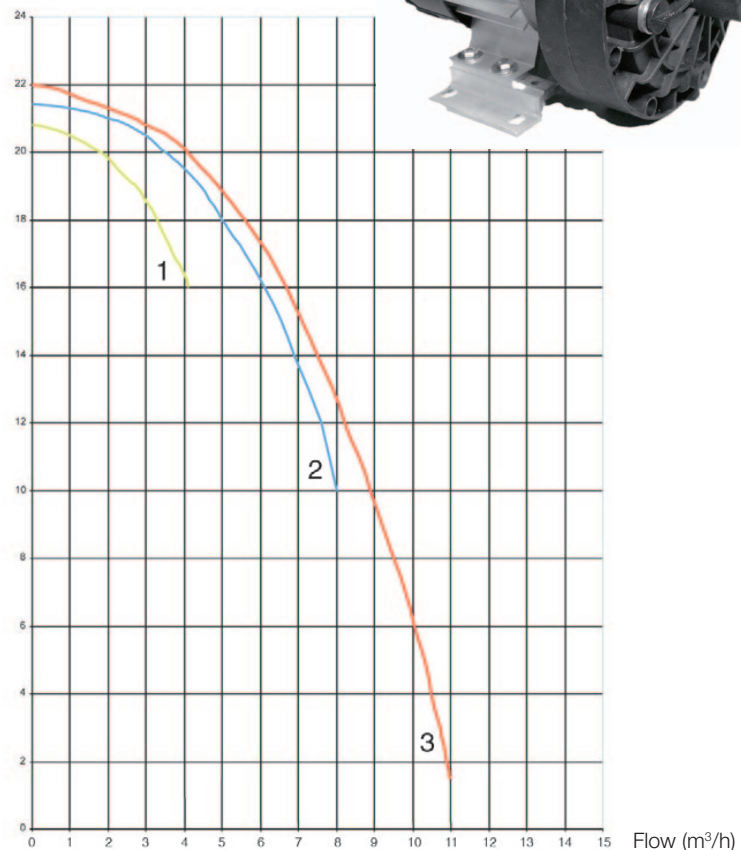
- Polypropylène pump housing
- Capacitor inside the terminal box
- Nitril mechanical seal
- 8 outlet positions
- Terminal box : 5 positions
- Polyamide 6 impeller
- 3 drain plug positions
- Class F insulation
- Single or three phase motor

### COMPLY WITH STANDARDS :

- These pumps meet the standards and guidelines in force
- EN 60335-1
- EN 60335-2-41



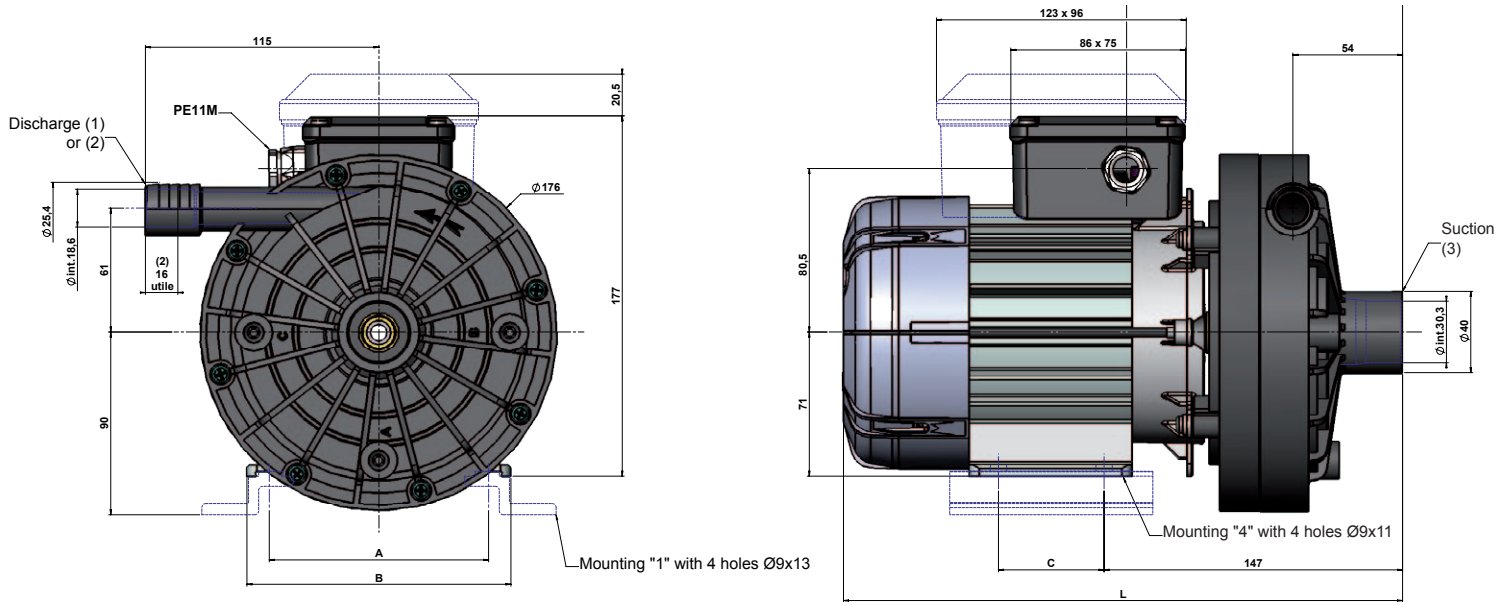
Meters



Model	Curves	Single phase with capacitor 230V - 50Hz	Three phase 230/400V 50Hz	Inlet power W	Output power W	Current 230V - A	Cos φ	Ø Impeller mm
PB 1C250 H4B	1	•		560	400	2,50	0,98	120
PB 3250 H4B			•	560	400	1,85	0,75	
PB 1C270 H4B	2	•		900	600	3,95	0,98	
PB 3270 H4B			•	875	600	2,95	0,74	
PB 1C285 H4B	3	•		1150	810	5,10	0,98	
PB 3285 K4B			•	985	800	3,40	0,73	



## DIMENSIONS



**Ø Discharge :**

- (1) - Connection on smooth pipe
- (2) - On request : Threaded  $\varnothing$  ext. G $\frac{3}{4}$ " male

**Ø Suction :**

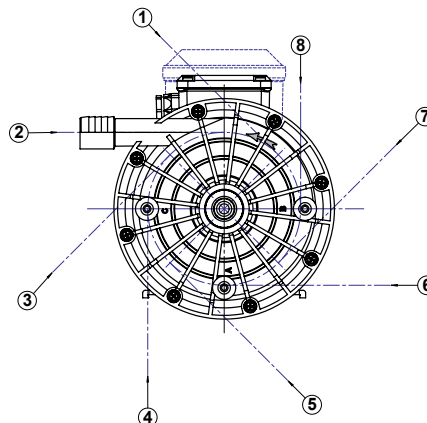
- (3) - On request : Threaded  $\varnothing$  int. G1" female

Dimensions (mm)	L	A	B	C
<i>Pumps</i>				
PB 1C250 PB 3250	255	108	130	32
PB 1C270 PB 3270	275	108	130	52
PB 1C285 PB 3285	290	108	130	67

## OPTIONS

- Special voltages and frequencies (60Hz and 50/60Hz)
- IP55 protection

Outlet position in relation to the lug



Position of the terminal box in relation to the lug

