



SMALL AND COMPACT, EASE MOUNTING

REINFORCED VERSION IN OPTION FOR MORE TORQUE

OUTPUT SHAFT ACCORDING TO THE SPECIFICATIONS OF YOUR AGITATION BLADE

TECHNICAL FEATURES :

- 2 mountings available : see drawing
- Solid or hollow shaft
- 2 pole motor
- Class B insulation
- IP44 protection
- Single phase with capacitor or three phase
- Permanently lubricated
- 2 directions of rotation
- Thermal cut-out

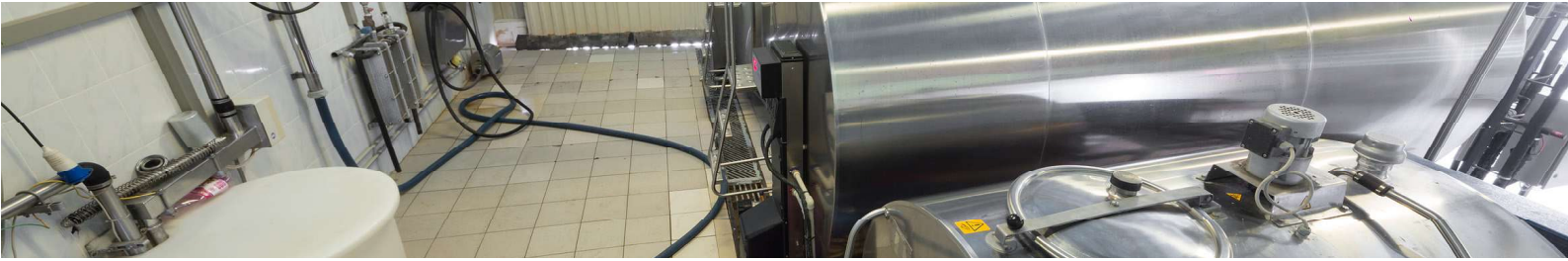


| Technical features | Speed N2 | Reduction ratio | Nominal torque | Maximal load on slowshaft (1) | | Weight |
|---|----------|-----------------|----------------|-------------------------------|-------|--------|
| | RPM | | | N2/N1 | m.daN | |
| R1C 245 NB R3 245 NB (three phase version) | 21 | 1/126 | 2,5 | 160 | 102 | 6,5 |
| | 25 | 1/112 | 2,2 | 150 | 93 | |
| | 32 | 1/89 | 1,7 | 138 | 82 | |
| | 48 | 1/59 | 1,2 | 122 | 69 | |
| R1C 245 NBR* R3 245 NBR (Three phase version)* | 21 | 1/126 | 5,2 | 160 | 102 | 6,5 |
| | 25 | 1/112 | 4,6 | 150 | 93 | |
| | 32 | 1/89 | 3,6 | 138 | 82 | |
| | 48 | 1/59 | 2,4 | 122 | 69 | |

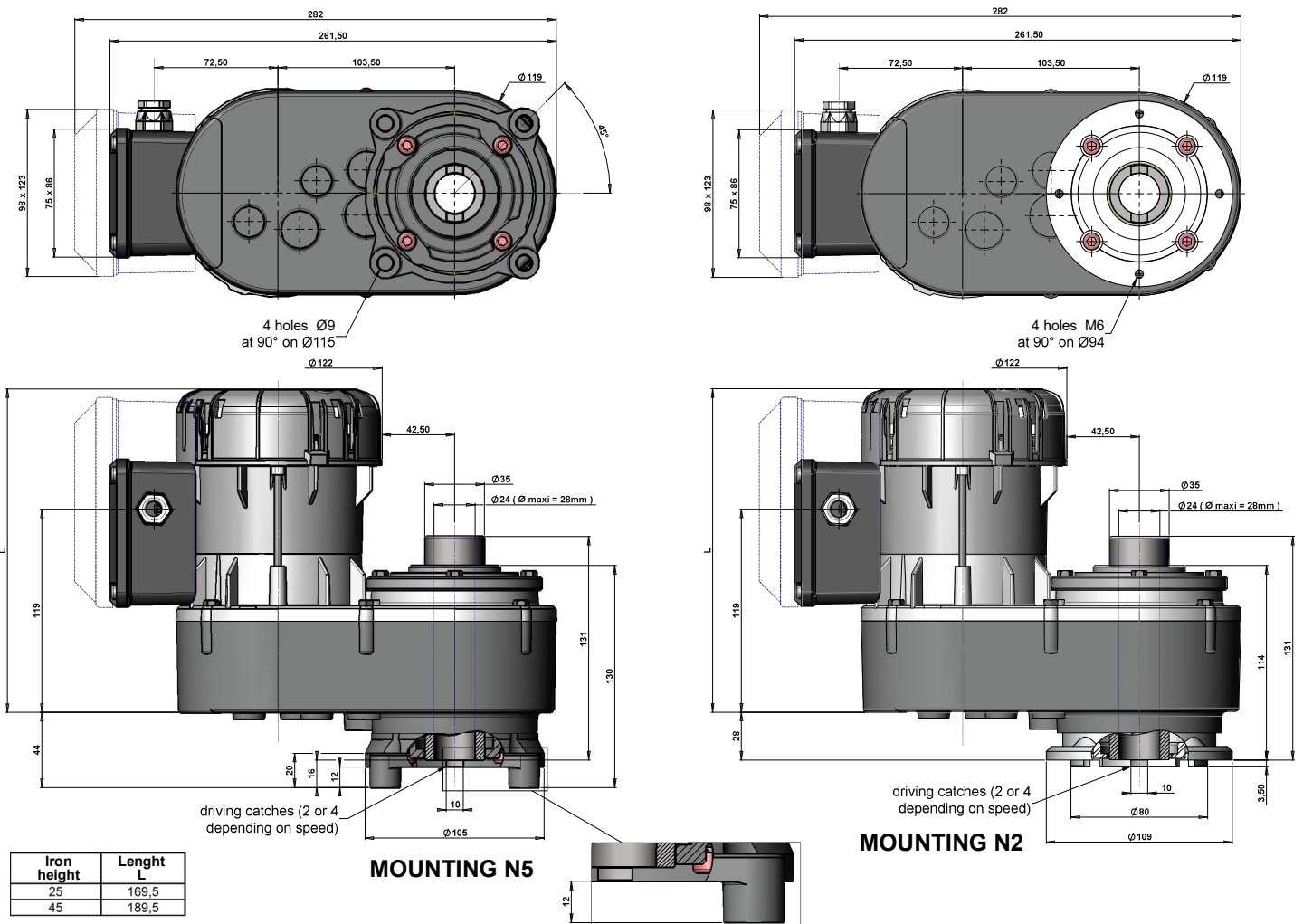
* reinforced version

(1) Applied at 21mm from the shaft end

| Motor features | Single phase with capacitor 230V - 50Hz | Three phase 230/400V 50Hz | Nominal torque cm.N | Output power W | Speed N1 RPM | Current under 230 V A | $\frac{I_A}{I_N}$ | $\frac{C_d}{C_n}$ | Cos |
|----------------|---|---------------------------|---------------------|----------------|--------------|-----------------------|-------------------|-------------------|------|
| 1C 245 | • | | 24,2 | 71 | 2800 | 0,59 | 2,3 | 0,8 | 0,99 |
| 1C 245 R | • | | 51,2 | 145 | 2700 | 1,08 | 1,65 | 0,49 | 0,98 |
| 3 245 | | • | 24,8 | 73 | 2800 | 0,42 | 3,25 | 0,97 | 0,79 |
| 3 245 R | | • | 51,2 | 145 | 2700 | 0,77 | 2,9 | 0,89 | 0,83 |



DIMENSIONS



OPTIONS

- IP55 protection
- Class F insulation
- Output shaft according to your agitator specifications
- Special voltages and frequencies (60Hz and 50/60Hz)
- Washing system
- Reinforced motor (first gear in metal) for more torque