



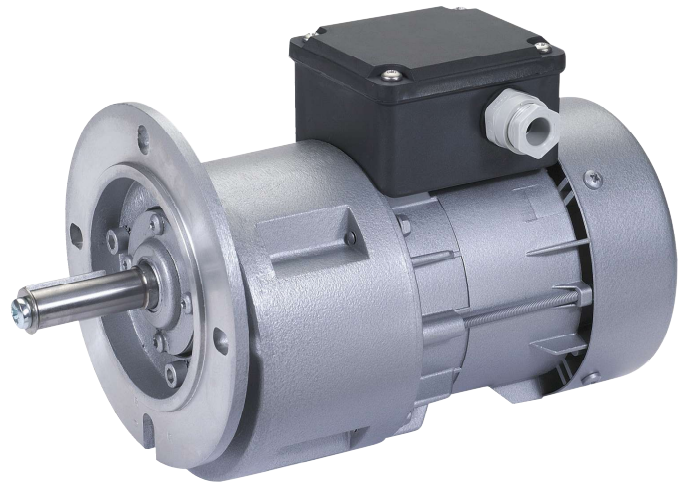
SMALL AND COMPACT, EASE MOUNTING

REINFORCED VERSION IN OPTION FOR MORE TORQUE

OUTPUT SHAFT ACCORDING TO THE SPECIFICATIONS OF YOUR AGITATION BLADE

TECHNICAL FEATURES :

- 3 mountings available including an off-center flange : see drawing
- 2 pole motor
- Class B insulation
- IP44 protection
- Single phase with capacitor or three phase
- Permanently lubricated
- 2 direction of rotation
- Thermal cut-out
- Terminal box : 4 positions

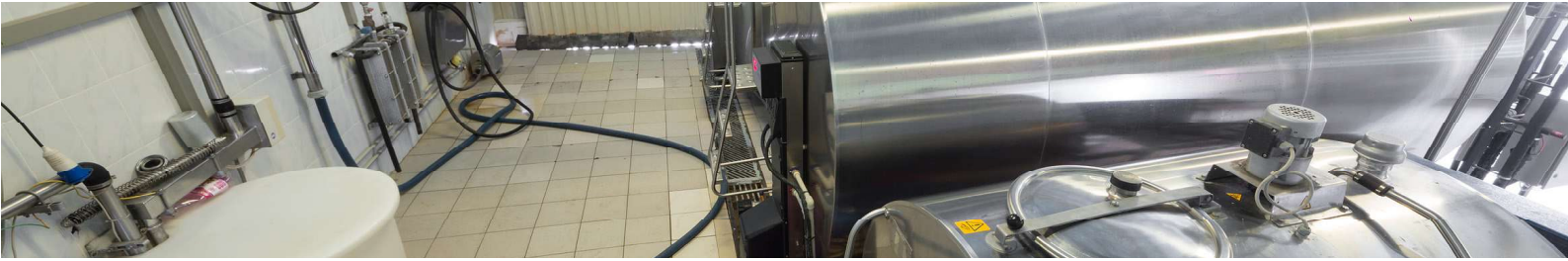


Technical features	Speed N2	Reduction ratio	Nominal torque	Maximal load on slowshaft (1)		Weight Kg
	RPM			N2/N1	m.daN	
R1C 245 LB R3 245 LB (three phase version)	21	1/125	2,5	94	60	3,5
	25	1/112	2,2	89	56	
	32	1/88	1,7	82	50	
	48	1/59	1,2	72	42	
R1C 245 LBR* R3 245 LBR (three phase version)*	21	1/125	5,2	94	60	3,5
	25	1/112	4,6	89	56	
	32	1/88	3,6	82	50	
	48	1/59	2,4	72	42	

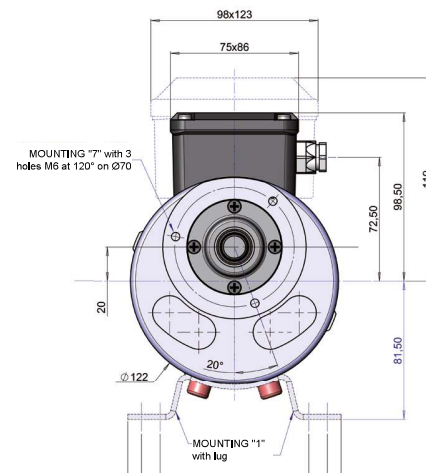
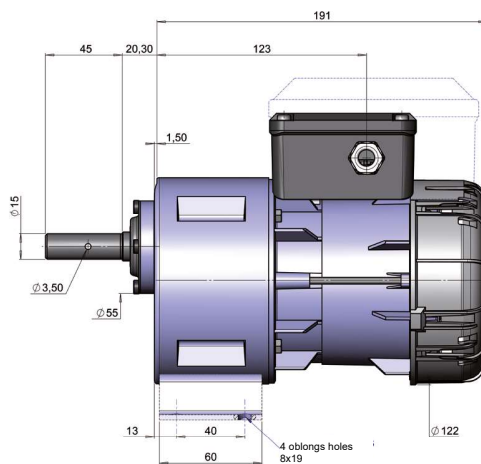
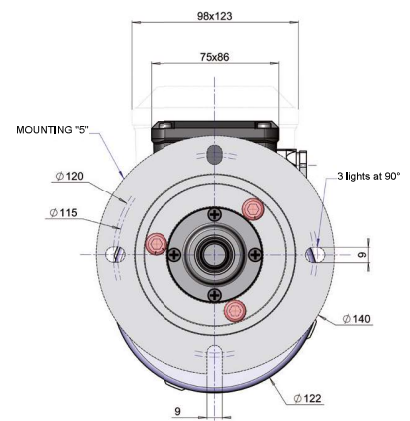
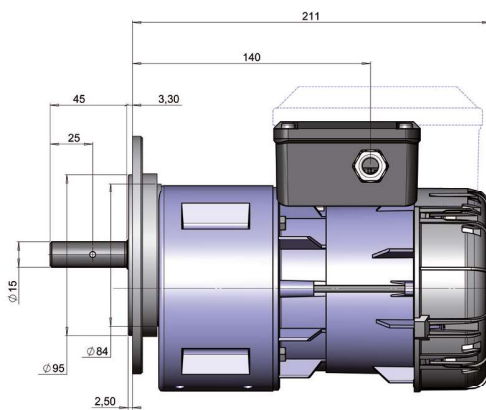
* reinforced version

(1) Applied at 21mm from the shaft end

Motor features	Single phase with capacitor 230V - 50Hz	Three phase 230/400V 50Hz	Nominal torque cm.N	Output power W	Speed N1 RPM	Current under 230 V A	$\frac{I_A}{I_N}$	$\frac{C_d}{C_n}$	Cos
1C 245	•		24,2	71	2800	0,59	2,3	0,8	0,99
1C 245 R	•		51,2	145	2700	1,08	1,65	0,49	0,98
3 245		•	24,8	73	2800	0,42	3,25	0,97	0,79
3 245 R		•	51,2	145	2700	0,77	2,9	0,89	0,83

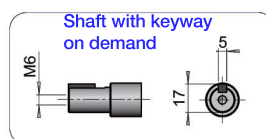


DIMENSIONS

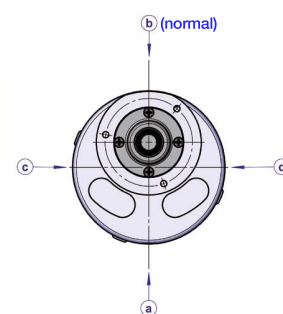


OPTIONS

- IP55 protection
- Class F insulation
- Output shaft according to your agitator specifications
- Special voltages and frequencies (60Hz and 50/60Hz)
- Reinforced motor (first gear in metal) for more torque



Terminal box positions



Lug positions

