



## P TYPE - GEAR MOTOR 400 WATTS



**REVERSIBLE GEARBOX WITH PARALLEL GEARS  
MASSIVE OR HOLLOW SHAFT**

#### APPLICATIONS :

- AUTOMATIC GATES
- SOLAR TRACKERS
- RETRACTABLE BOLLARDS
- AGITATORS

#### TECHNICAL FEATURES :

- ASYNCHRONOUS MOTOR
- PERMANENTLY LUBRICATED
- THERMAL CUT-OUT
- 2 DIRECTION OF ROTATION
- CLASS B INSULATION
- IP44 PROTECTION
- WORKING TEMPERATURE :  
-20°C TO +85°C
- RELATIVE HYGROMETRY UNTIL 95%

#### OPTIONS AVAILABLE ON DEMAND :

- INRUSH OR LACK OF CURRENT BRAKE  
(24 V OR 230 V WITH DIODE RECTIFIER)  
WITH OR WITHOUT MANUAL UNLOCKING
- VOLTAGES AND FREQUENCIES ON REQUEST
- CLASS F INSULATION
- IP55 PROTECTION
- OUTPUT SHAFT ACCORDING TO  
SPECIFICATIONS

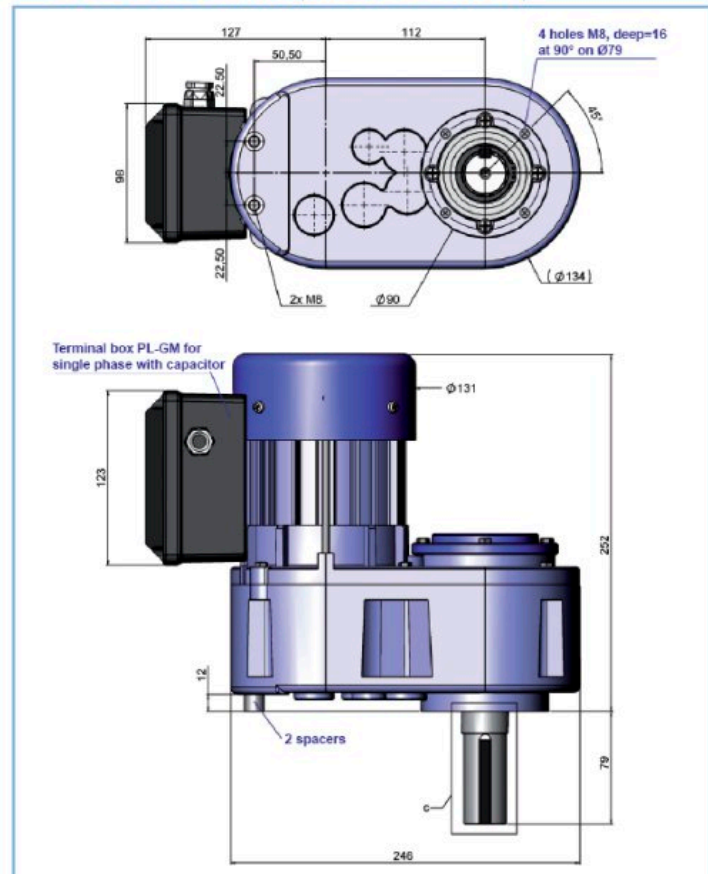
#### COMPLIES WITH STANDARDS :

- EN 60 335-1
- EN 60034-1
- CE

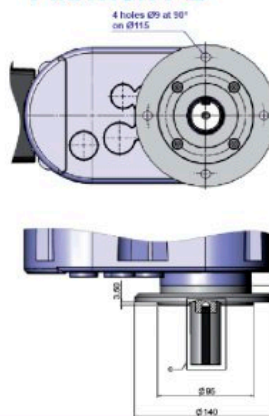
PHOTOGRAPHS ARE NON-CONTRACTUAL

**6,6 to 130 RPM  
2,8 to 17 daN.m**

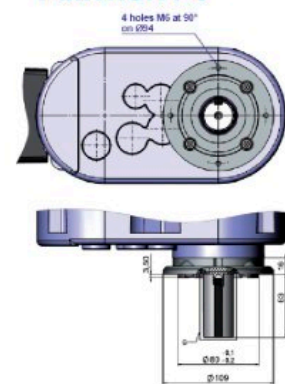
#### BULK DIMENSIONS (WITH FASTENING P0)



#### FIXATION P2



#### FIXATION P9



[www.sirem.fr](http://www.sirem.fr)

SIREM - Chemin du Pilon - 01700 - ST MAURICE DE BEYNOST - FRANCE Tel : +33 478558300 / Fax : +33 478558319